

# Compact Valve Automation

421 BREADEN DR. #15

MONROE, OH 45050-1575

PH 513.539.1234

FX 513.539.2176

**NT Series**

Visual Dial Position Indicator

Heavy Duty PSC Motor  
 High temperature motors.

Ball Bearing Reliability  
 Ball bearings on both the inner and outer rotor shaft provide greater reliability.

Motor Thermal Protector Switch  
 Automatically re-setting

Travel Switches  
 10amp SPDT with position feedback.

Conduit Entries  
 2 x 3/4NPT

High Strength Heat Treated Gears  
 One piece worm and output shaft for strength.

Torque Switches  
 Except on NT3 - NT7

Heater & Thermostat  
 Other options available.

Travel Stops

Worm Gear Drive

Removable Drive Bushing  
 Output shaft can be removed and machined to desired female connection for direct mounting.

Manual Operation is accomplished by simply turning the de-clutch lever to engage the handwheel. The handwheel is automatically dis-engaged when the motor power is restored (motor preference).

IP67 Design Housing Protection  
 Similar to NEMA 12 for protection against dust and water jet spray.

**Standard Features:**

**Compact - Reliable:**



Ideal for butterfly valve automation.

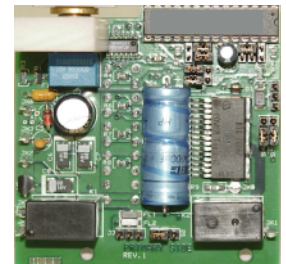
Because of the worm drive gear, the NT unit is ideally suited for rubberlined butterfly valves. The worm means most applications won't backdrive reducing excessive valve oscillations.

Relays, feedback sensors,...

Consult factory for custom electrical requirements. B00066

Modulating Control with Digital Calibration

4-20mA, 0-10Vdc input allows complete control over valve position. Push button setup is digitally stored.



Optional Motor Voltages

115Vac, 230Vac  
 380Vac  
 12, 24Vdc  
 consult factory for other voltages

**Options:**

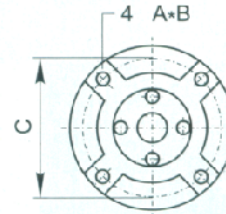
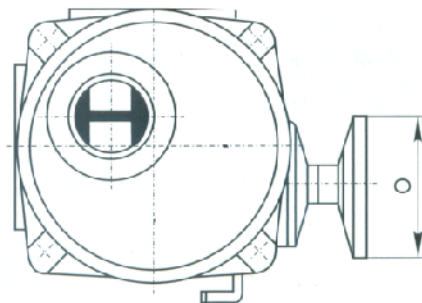
# Superior Valve Automation

421 BREADEN DR. #15

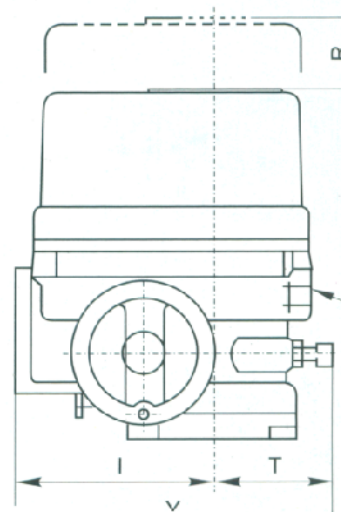
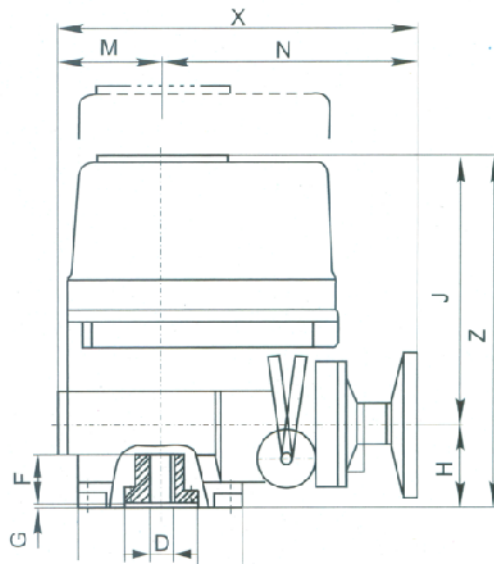
MONROE, OH 45050-1575

PH 513.539.1234

FX 513.539.2176



valve mounting



**Dimensional:**

	NT3	NT5	NT7	NT1.3K	NT1.6K	NT2.4K	NT3.3K	NT4.4K	NT5.2K	NT7K	NT8.8K
<b>A</b>	M6	M8	M8	M10	M10	M12	M12	M12	M16	M16	M16
<b>B</b>	10	14	14	14	14	17	17	17	19	19	19
<b>C</b>	50	70	70	102	102	125	125	125	140	140	140

	NT3	NT5	NT7	NT1.3K	NT1.6K	NT2.4K	NT3.3K	NT4.4K	NT5.2K	NT7K	NT8.8K
<b>D (max)</b>	14	22	22	22	22	32	32	32	42	42	42
<b>E</b>	41	55	55	57	57	75	75	75	85	85	85
<b>F</b>	25	35	35	35	35	42	42	42	54	54	54
<b>G</b>	5	5	5	5	5	5	5	5	5	5	5
<b>H</b>	52	60	60	64	64	70	70	70	78	78	78
<b>I</b>	98	110	110	125	125	168	168	168	191	191	191
<b>J</b>	167	196	196	194	194	233	233	233	230	265	265
<b>L</b>	84	102	102	125	125	145	145	145	175	175	175
<b>M</b>	49	49	49	70	70	75	75	75	99	99	99
<b>N</b>	148	179	179	187	187	202	202	202	225	225	225
<b>O</b>	102	102	102	200	200	200	200	200	200	200	200
<b>R</b>	122	122	122	125	125	164	164	164	164	173	173
<b>T</b>	67	74	74	85	85	97	97	97	116	116	116
<b>X</b>	200	241	241	272	272	290	290	290	325	325	325
<b>Y</b>	165	184	184	211	211	265	265	265	307	307	307
<b>Z</b>	205	256	256	258	258	303	303	303	308	343	343

**Performance:**

Model	Torque in-lbs	Motor kW	Current 115V (A)	sec/90°	Weight Kg	Lbs
NT3	350	0.01	0.4	18	6	13
NT5	525	0.015	0.5	18	9	20
NT7	750	0.025	0.6	18	10	22
NT1.3K	1300	0.04	1.6	22	12	26
NT1.6K	1650	0.04	1.6	22	13	29
NT2.4K	2400	0.04	1.6	30	17	37
NT3.3K	3300	0.06	2.4	30	18	40
NT4.4K	4400	0.09	3.2	30	19	42
NT5.2K	5250	0.09	3.2	25	22	48
NT7K	7000	0.18	6.4	25	23	51
NT8.8K	8800	0.2	6.4	25	25	55

**Options:**

**EV and NV Series**

See Bulletins B00010 and B00020 for smaller sized electric actuators from Valvsys. Torques from 125 inlbs to 1,000 inlbs.

**Control Boxes**

NEM4, NEMA 7, and non-metallic control boxes for on/off, remote control, "jogging", and other specific and custom wired functions. Consult Factory.

While the information contained in this literature is believed to be accurate it is supplied for informative purposes only and should not be considered certified or as a guarantee of satisfactory results by reliance thereon. Nothing contained herein is to be construed as a warranty or guarantee, express or implied, regarding any matter with respect to this product. Products may differ as the result of Valvsys, LLC policy of continuous product improvement.



www.valvsys.com  
info@valvsys.com

Valvsys, LLC  
421 Brearden Dr., #15  
Monroe, OH 45050  
ph 513.539.1234  
fx 513.539.2176